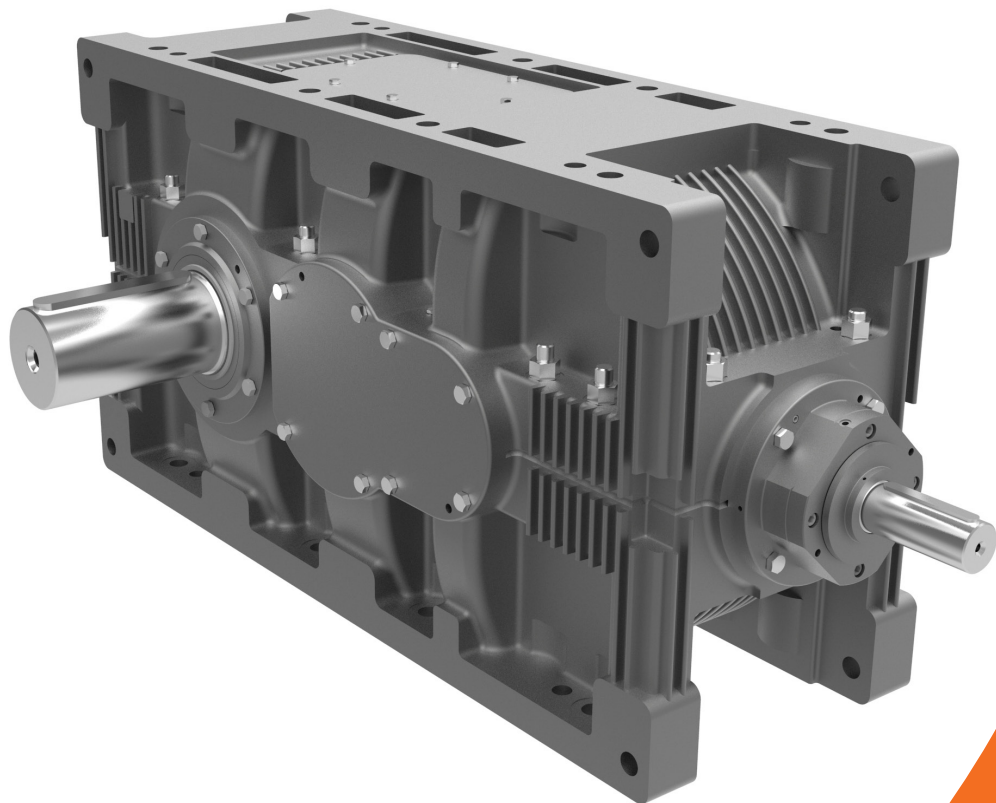


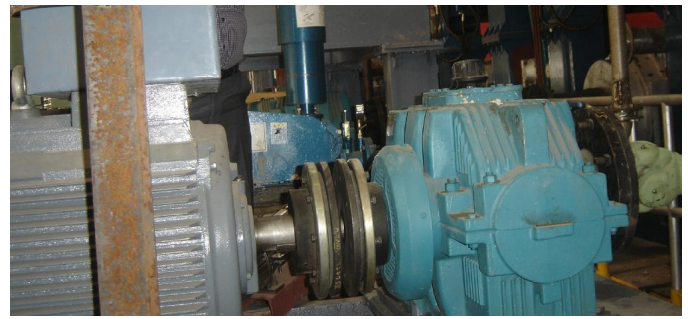
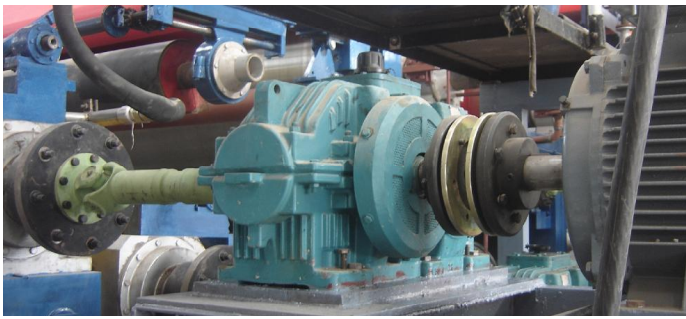
radicon 

with you at every turn

Series E Industrial Gear Units



Series E



PRODUCT INFORMATION

The EON series Industrial gear unit is designed to meet the requirements of the most demanding applications in the medium and heavy duty sectors of the power transmission market.

The modern design and construction of the Series E offers many engineering and performance benefits including a higher torque and thermal ratings, with a high degree of interchangeability of components. The gear housing has been designed to withstand the normal forces whilst reducing weight to the ideal level leading to most optimal industrial gear unit solution available.

Unit Sizes

11,13,14,15, 16,17,18, 19, 20, 21, 22, 23, 24, 25, 26

Types

Parallel shaft: Single, Double, Triple and Quadruple reduction
 Right angle shaft: Double, Triple and Quadruple reduction

Input Power

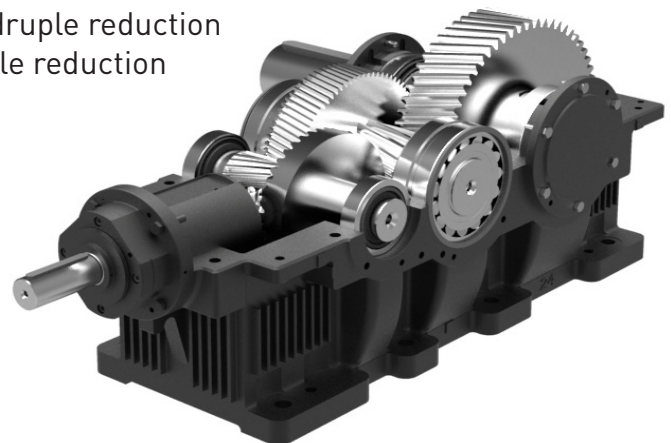
Up to 4825Kw

Output Torque

Up to 132000Nm

Gear ratios

1.25/1 to 560/1 in multistage



FEATURES

Optimum case design EON

Split case design

Multimount case option EOS

Additional Cooling fins

Rigid flange output option

Labyrinth Sealing as standard

Spherical roller bearings throughout (taper roller bearings on bevel pinion shaft)

External holdback

Atex compliant

BENEFITS

Lower weight, reducing material giving market leading torque per Kg

Ease of maintenance and in situ repair

Flexibility on mounting options

Higher thermal ratings

Ease of assembly, reduces alignment issues

Improved sealing in harsh environments

Provides longer life

Easy access for maintenance and change of direction

Can be supplied against Group 2 or 3 for sur

Intelligent Design

The EON series has been designed using the latest software, giving a tooth geometry which combines maximum efficiency with high load carrying capacity and minimal noise generation. Serviceability was at the forefront of our thoughts in the design guaranteeing durability, reliability and minimal downtime.

Drop in Replacement

Our “design and supply” service enables us to supply a new drive assembly to fit directly in place of your existing equipment, we can reuse your existing motors and couplings where appropriate.

Split design for ease of maintenance

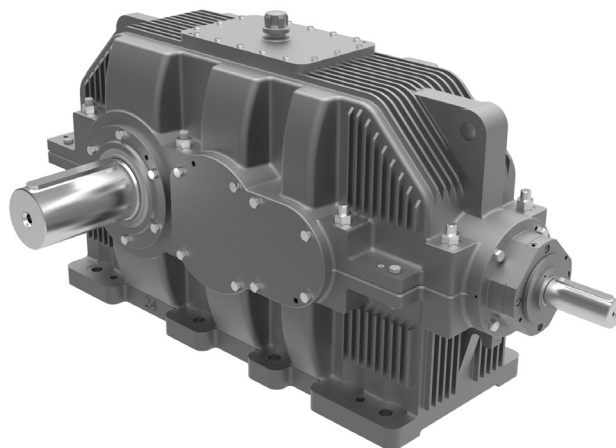
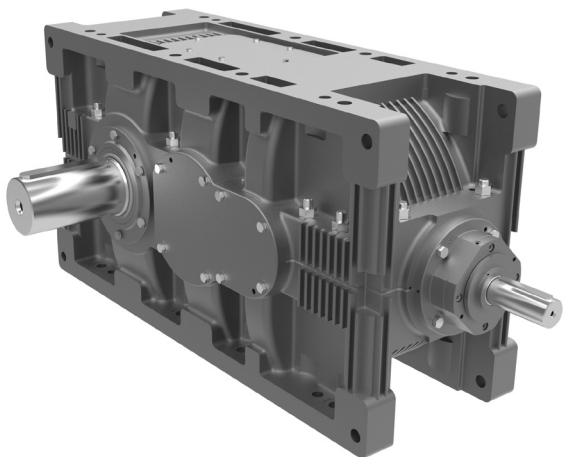
Allows for onsite inspection and maintenance eliminating costly downtime and loss of production.

High specification seal design

Labyrinth combined with dual lip oil seals prevent the ingress of dirt and dust

Case options

Available with dedicated foot mounted case EON, which gives the optimum torque/kg, or with multimount case EOS giving flexibility on mounting options.



Typical Applications and Industries

Applications

Conveyors
Crushers
Cranes
Seed Presses
Steam Condensers
Mixers
Test Rig
Winches
Pumps
Mixers
Cooling Towers

Industries

Cement
Mining
Harbours and Ports
Quarrying
Power Generation
Petrochemical
Steel
Pulp & Paper
Food & Beverage
Water and waste water

Radicon believes in engineering quality relationships with our customers that strengthen what we can achieve together. Our business and the people within our business are committed to building long lasting partnerships that are as reliable as our products and as smooth as our service.

Radicon and sister company Benzlers are now part of Elecon Engineering, Asia's largest and fastest growing gear manufacturer. This partnership means that we can offer our customers an enhanced range of standard and bespoke engineering solutions including drop in replacements, all supplied with the product quality and engineering expertise demanded from and delivered by the Radicon business.

Radicon - with you at every turn

benzlers 
radicon 

Benzlers

Denmark +45 36 34 03 00
Germany +49 800-350 4000
Finland +358 9 340 1716
Italy +39 02 824 3511
Sweden +46 42 186 800
+46 19 178 090
The Netherlands +31 77 324 59 00
www.benzlers.com

Radicon

Thailand +66 3845 9044
United Kingdom +44 (0) 1484 465 800
USA +1 847 593 9910
www.radicon.com